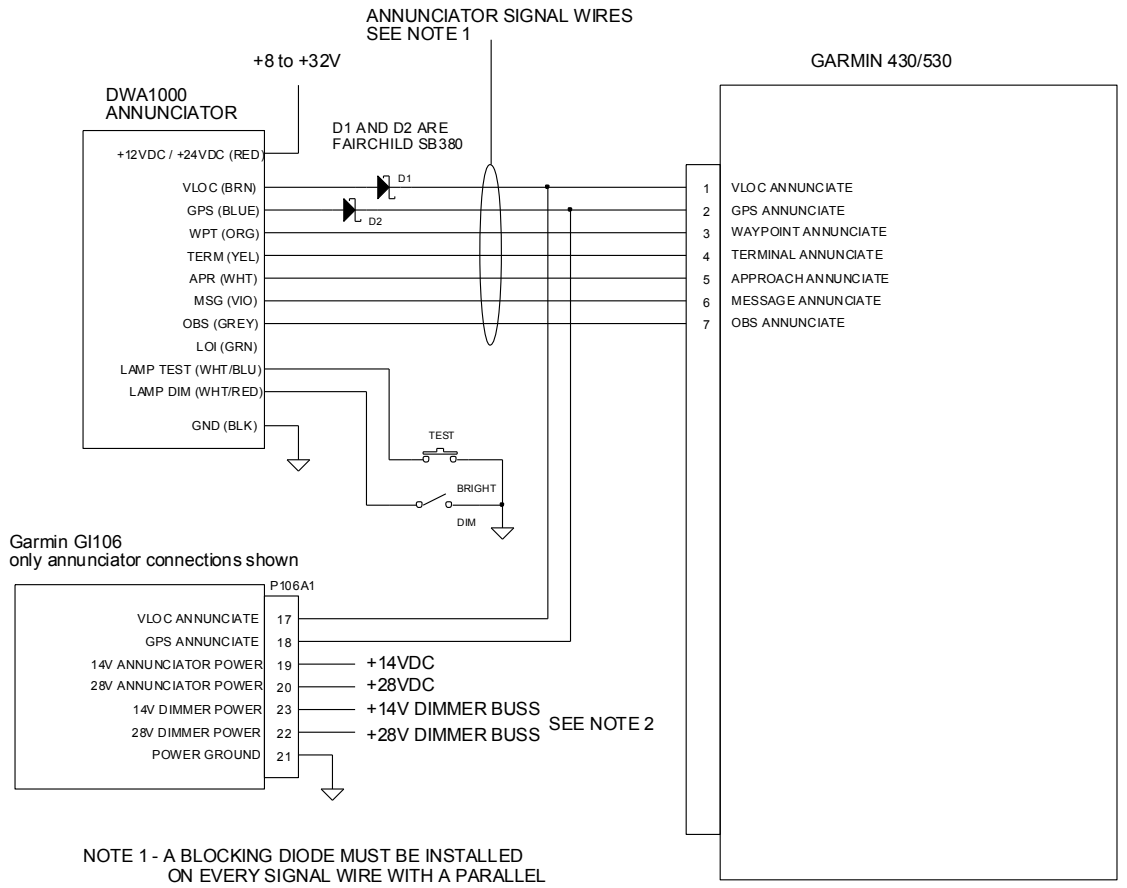


## IMPORTANT INSTALLATION NOTE

The DWA1000 Annunciator can not be installed in parallel with separate annunciator indicators unless external blocking diodes are installed. Refer to wiring example below.

Recommended blocking diode –  
Fairchild SB380

**WARNING**  
**FAILURE TO INSTALL AN EXTERNAL BLOCKING DIODE TO SIGNAL WIRES WITH PARALLEL ANNUNCIATOR CONNECTIONS WILL DAMAGE THE UNIT.**



- NOTE 1 - A BLOCKING DIODE MUST BE INSTALLED ON EVERY SIGNAL WIRE WITH A PARALLEL ANNUNCIATOR INDICATOR CONNECTED. RECOMMENDED DIODE IS FAIRCHILD SB380
- NOTE 2 - SEE GARMIN INSTALLATION MANUAL FOR PROPER CONNECTIONS TO PIN 22. DO NOT CONNECT DIMMING PINS TO DWA1000 DIMMING SWITCH

WIRING EXAMPLE  
ONLY ANNUNCIATOR CONNECTIONS SHOWN